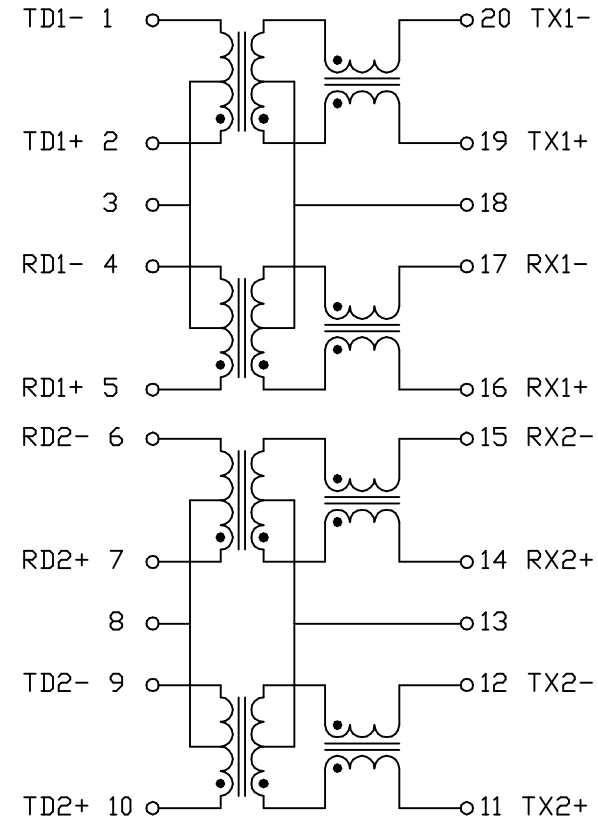


TOLERANCES : ± 0.25



ELECTRICAL SPECIFICATIONS @25°C :

1. TURNS RATIO : TX = 1CT : 1CT, RX = 1CT : 1CT
2. PRIMARY OCL : 350uH MIN @100KHZ/0.1Vrms WITH 8mA BIAS
3. WINDING CAPACITANCE CW/W : 50pF MAX.
4. LEAKAGE INDUCTANCE (L.L) : 0.4uH MAX.
5. INSERTION LOSS (TX/RX) : -1.1dB MAX @0.3~100MHZ
6. RETURN LOSS (dB MIN) :

0.3~30MHZ	40MHZ	50MHZ	60~80MHZ
-18	-15	-13	-12
7. CROSS TALK : -35dB MIN @0.3~100MHZ
8. COMMON MODE REJECTION : -40dB TYP.
9. ISOLATION (PRI/SEC) : 1500Vrms.

						Atech®		TITLE 10/100 BASE-T TRANSFORMER	
						Atech Technology Co. Ltd.		DWG. NO.	
						TEL:0282794-6667 FAX:0282794-8004		ATPL-156	
RELEASE		10/23/2001	DOLLY	AL	SUEDY	UNITS: M/M		SAFETY	
NO.	DESCRIPTION	DATE	BY	CHK	APPD	DATE		SHEET 1 OF 1	
REVISIONS						10/23/01		DRAW <i>Pair</i>	